

JVC

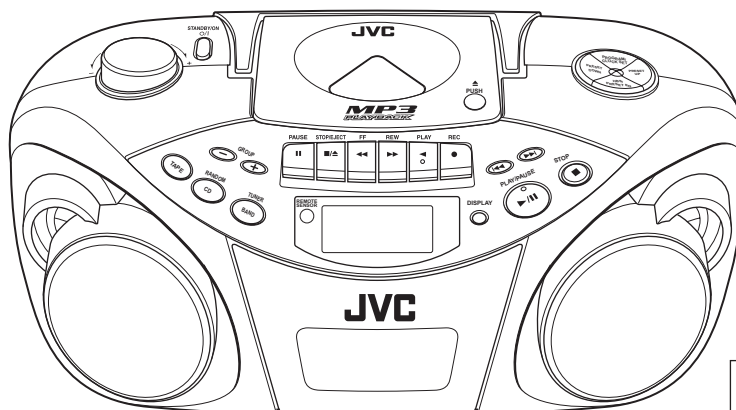
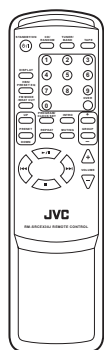
SERVICE MANUAL

CD PORTABLE SYSTEM

RC-EX30B

SERVICE POLICY

No service part is available for this model.
Exchange only.



Area suffix

A ----- Australia
B ----- U.K.
E ----- Continental Europe
EN ----- Northern Europe
EV ----- Eastern Europe

TABLE OF CONTENTS

1	PRECAUTION	1-3
2	SPECIFIC SERVICE INSTRUCTIONS	1-4
3	DISASSEMBLY	1-5
4	ADJUSTMENT	1-14
5	TROUBLESHOOTING	1-15

SPECIFICATION

CD player	CD capacity	1 CD
	Signal-to-noise ratio	75 dB
	Dynamic range	60 dB
Tuner	Frequency range	FM 87.5 - 108.0 MHz AM 522 - 1 629 kHz
	Antennas	Telescopic antenna for FM Ferrite core antenna for AM
Cassette deck	Frequency response	60 Hz - 10 000 Hz
	Wow & flutter	0.15% (WRMS)
	Fast wind time	Approx. 150 sec. (C-60 cassette)
General	Speakers	9 cm cone × 2
	Speaker impedance	4 Ω
	Output power	4 W (2 W + 2 W) at 4 Ω (10% THD)
	Output terminals	PHONES × 1
	Power supply	AC 230 V , 50 Hz DC 9 V (R20 (SUM-1)/D (13D)-size batteries × 6)
	Power consumption	18 W (at operation) 3 W (on standby)
	Dimensions	420 mm × 178 mm × 250 mm (W/H/D)
	Mass	Approx. 3.2 kg (without batteries)

Design and specifications are subject to change without notice.

SECTION 1 PRECAUTION

This service manual does not describe PRECAUTION.

SECTION 2 SPECIFIC SERVICE INSTRUCTIONS

This service manual does not describe SPECIFIC SERVICE INSTRUCTIONS.

SECTION 3 DISASSEMBLY

3.1 Main body

3.1.1 Removing the rear cover assembly section

(See Fig.1 to 3)

- (1) Remove the eight screws **A**, the three screws **B** and the four screws **C** attaching the rear cover assembly on the back of the body.
- (2) Remove the battery cover on the back of the body and remove the two screws **D** attaching the rear cover assembly.
- (3) Move the rear cover assembly in the direction of the arrow and remove. At this time, disconnect the wire from connector **CN406** and FM-ANT on the main board.

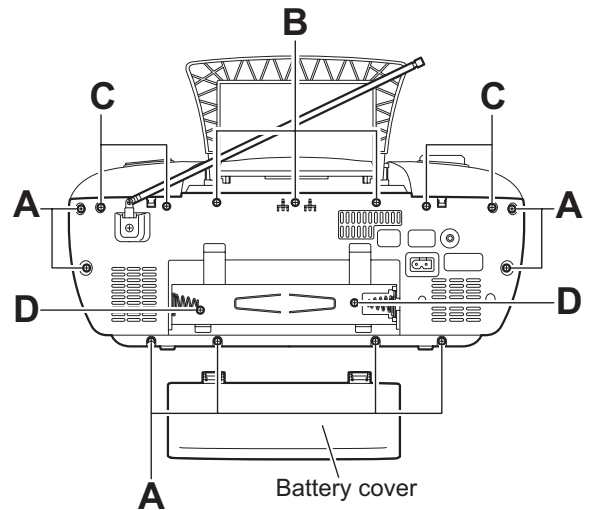


Fig.1

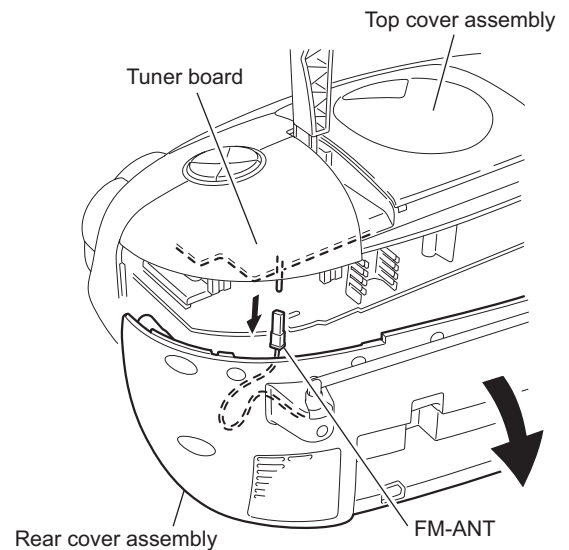


Fig.2

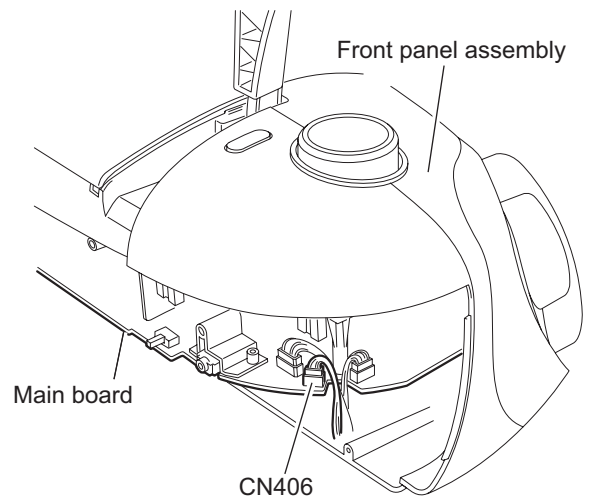
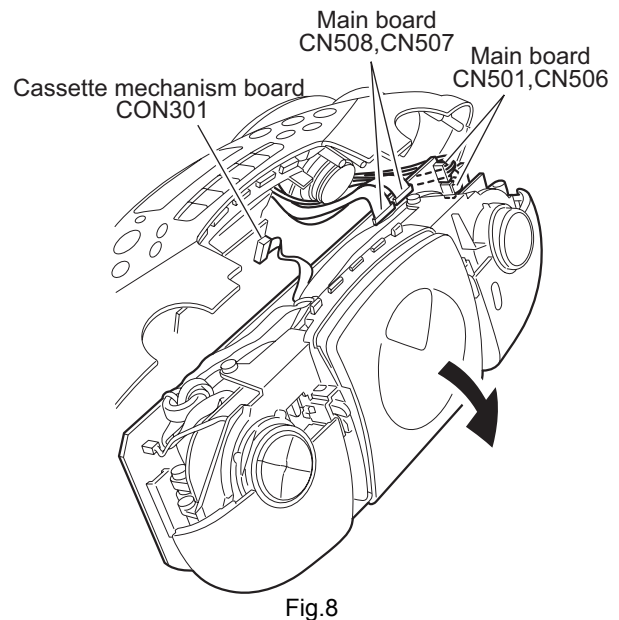
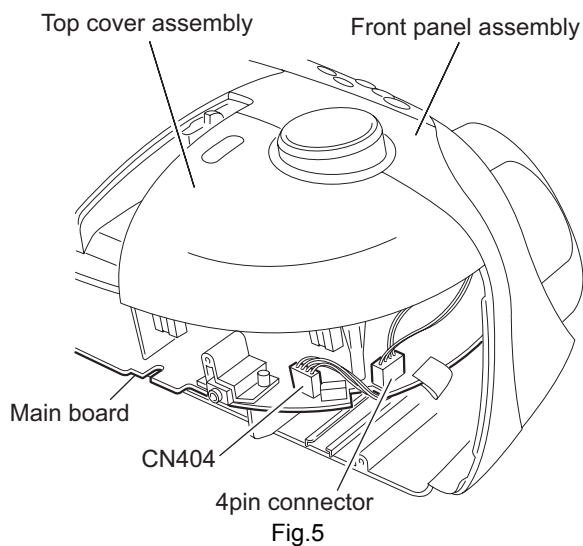
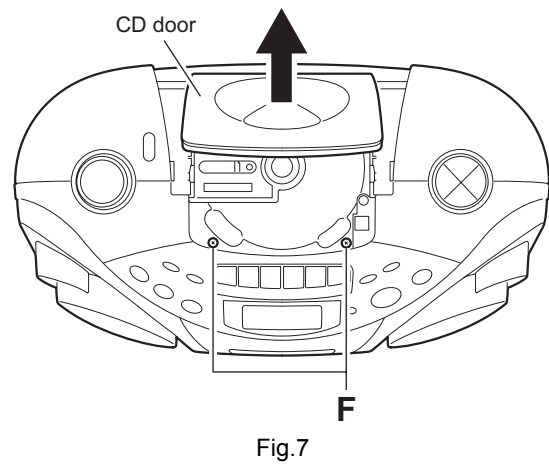
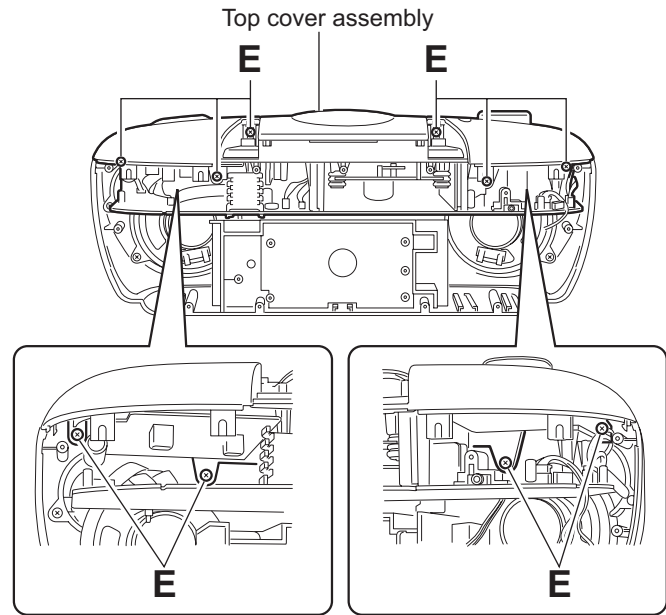
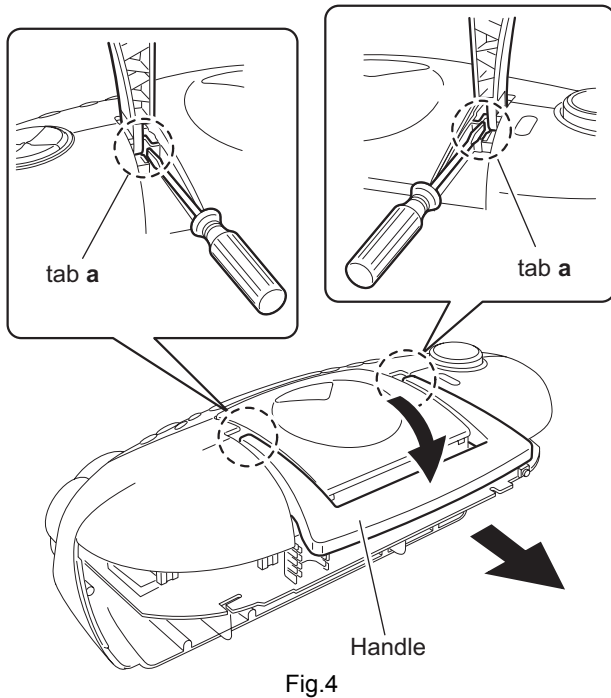


Fig.3

3.1.2 Removing the top cover assembly section and the front panel assembly section (See Fig.4 to 8)

- Prior to performing the following procedure, remove the rear cover assembly.
 - (1) Release the tab **a** of the handle using a screwdriver. Return the handle below and pull out in the direction of the arrow.
 - (2) Disconnect the wire from connector **CN404** and 4pin connector on the main board.
 - (3) Remove the six screws **E** and the two screws **F** attaching the top cover.
 - (4) Draw out the top cover assembly from the front panel assembly section backward.
 - (5) Disconnect the wire from connector **CN501** and **CN506** on the main board, and disconnect the card wire from connector **CN507** and **CN508**.
 - (6) Disconnect the wire from board connector **CON301** of the cassette mechanism assembly.



3.1.3 Removing the main body (See Fig.9, 10)

Caution:

Make sure to solder the short-circuit point on the CD servo board before disconnecting the card wire from connector [CN201](#) on the main board and from the CD servo board. If you don't observe this instruction, the pickup may be damaged.

- (1) Remove the eight screws **G** attaching the main board on the top cover assembly.
- (2) Disconnect the wire from connector [CN501](#), [CN502](#), [CN511](#), [CN202](#), [CN401](#) and [CN504](#) on the main board.
- (3) Disconnect the card wire from connector [CN201](#) on the main board.

Caution:

If necessary, cut the band.

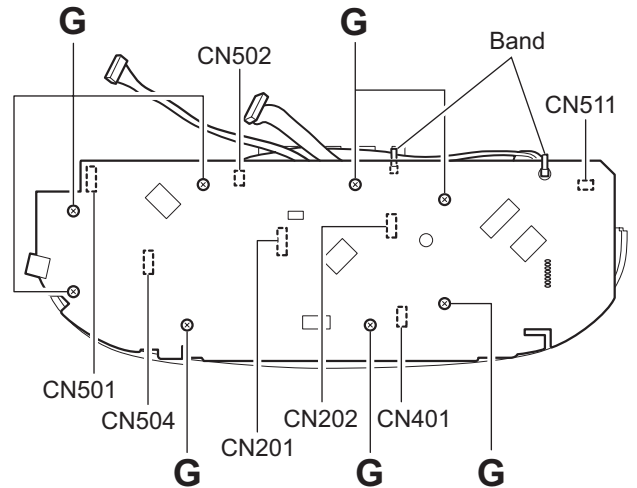
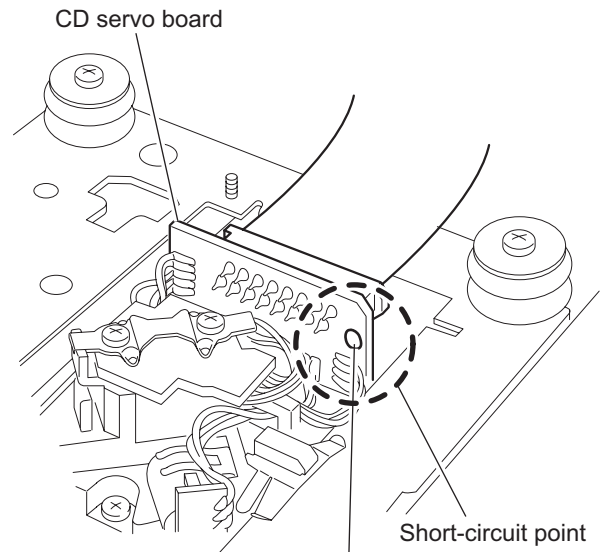


Fig.9



Unsolder
Fig.10

3.1.4 Tuner board (See Fig.11)

- Prior to performing the following procedure, remove the main board.
- (1) Remove the three screws **H** attaching the tuner board.

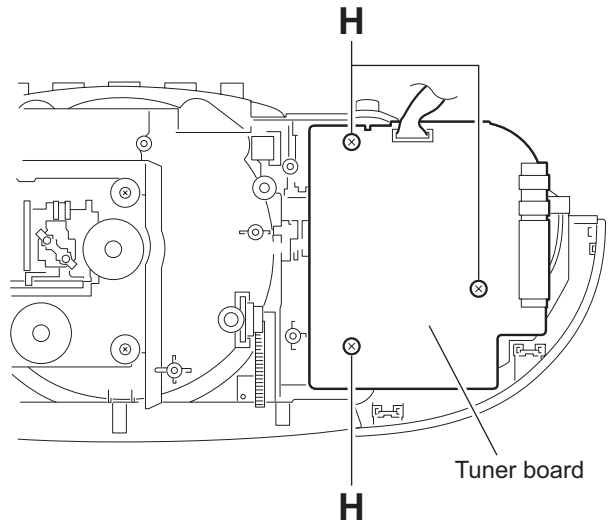


Fig.11

3.1.5 Removing the top switch board (See Fig.12)

- Prior to performing the following procedure, remove the main board and the tuner board.
- (1) Remove the four screws **J** attaching the top switch board.

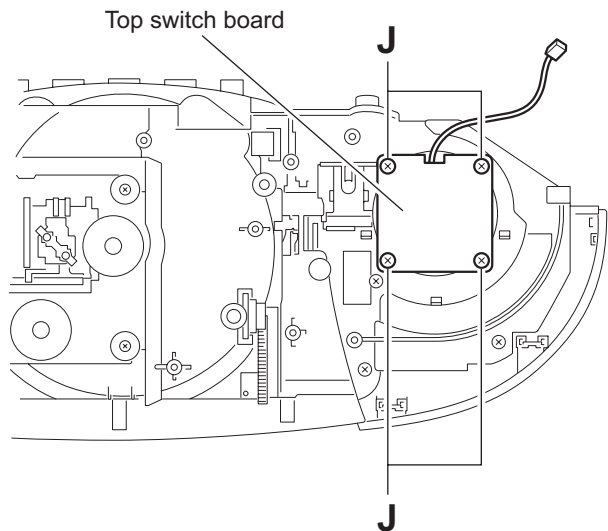


Fig.12

3.1.6 Removing the volume board and the power switch board (See Fig.13 to 16)

- Prior to performing the following procedure, remove the main board.
 - (1) Remove the three screws **K** attaching the volume board.
 - (2) Pull out the volume board from the volume knob.
 - (3) Remove the four screws **L** attaching the cover on the side of the power switch.
 - (4) Release the three tabs **b** of the cover on the side of the power switch.
 - (5) Remove the three screws **M** attaching the power switch board to the cover.

Caution:

If necessary, unsolder the solder points.

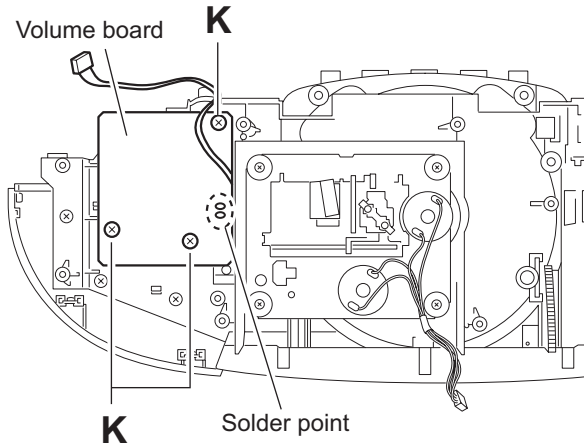


Fig.13

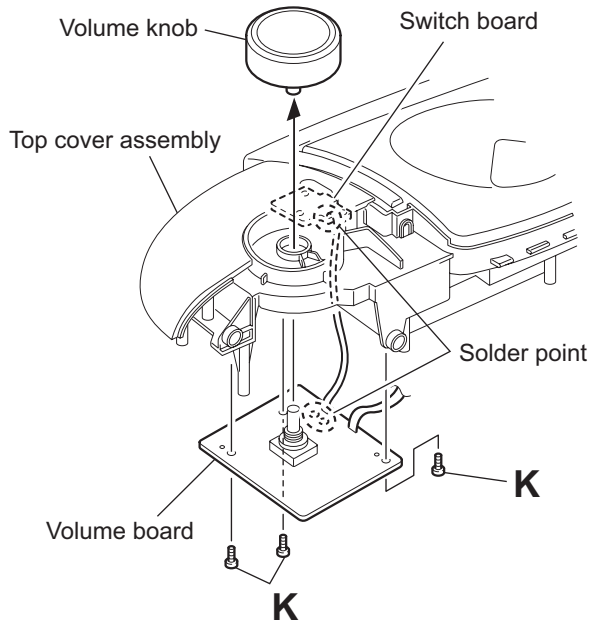


Fig.14

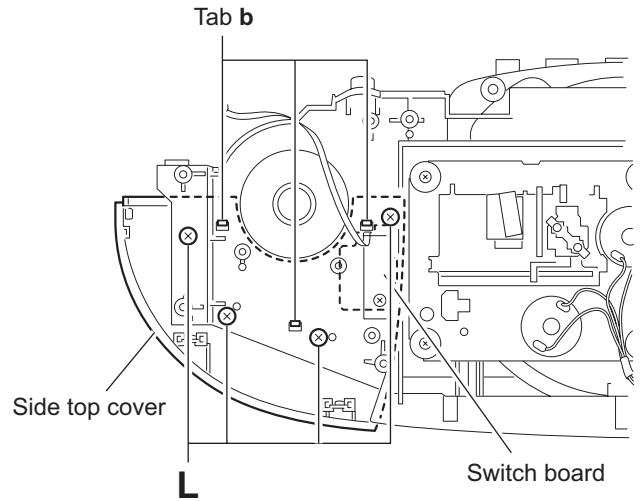


Fig.15

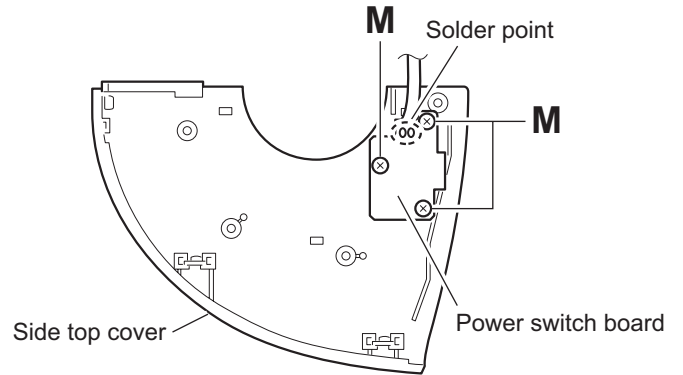


Fig.16

3.1.7 Removing the CD mechanism assembly (See Fig.17)

- Prior to performing the following procedure, remove the main board.
 - (1) Remove the four screws **N** attaching the CD mechanism assembly.

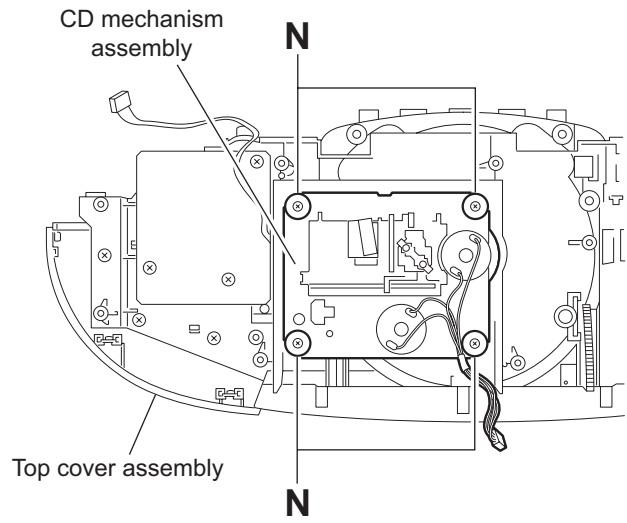


Fig.17

3.1.8 Removing the cassette mechanism assembly (See Fig.18 ~ 21)

- (1) Remove the four screws **P** attaching the cassette mechanism cover.
- (2) Remove the four screws **Q** attaching the cassette mechanism assembly.
- (3) Push Eject button to open the cassette door.
- (4) Pull out the cassette mechanism assembly in the direction of arrow.
- (5) Remove the six screws **R** attaching the operation board.

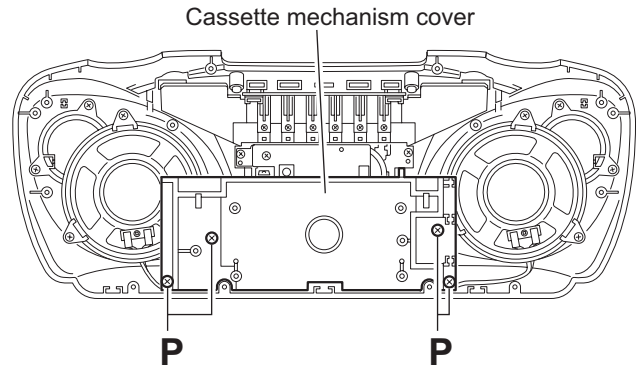


Fig.18

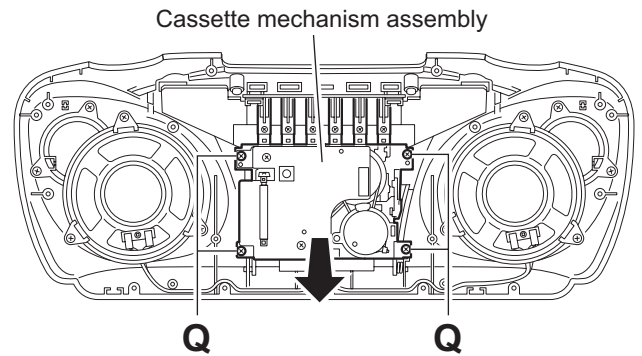


Fig.19

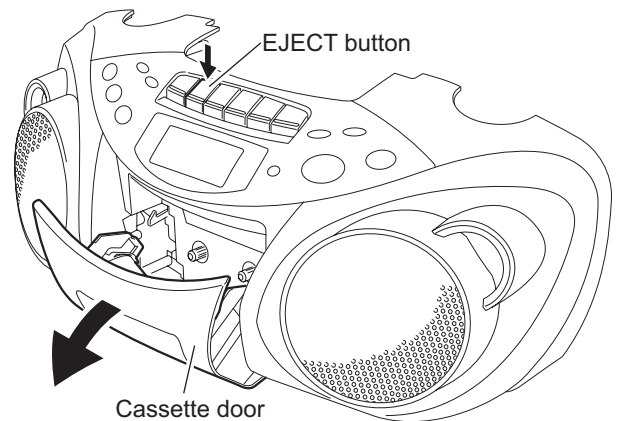


Fig.20

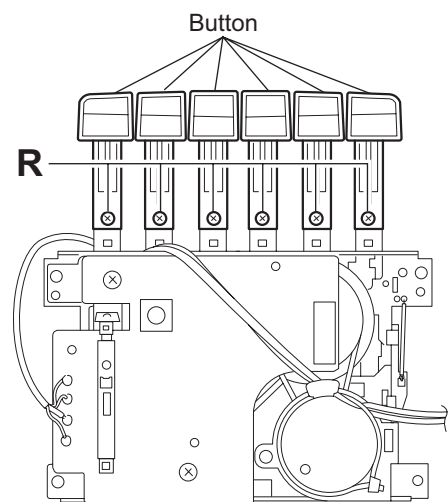
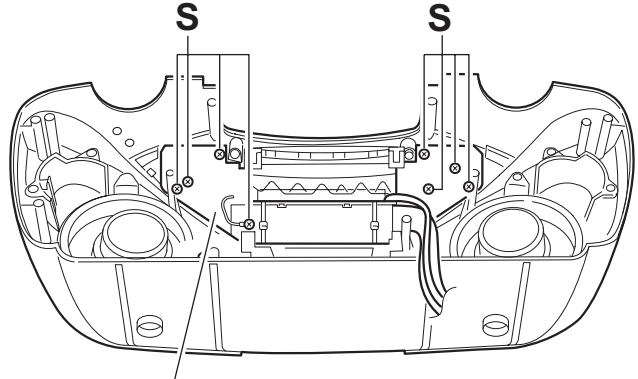


Fig.21

3.1.9 Removing the LCD & switch board
(See Fig.22)

- Prior to performing the following procedure, remove the cassette mechanism assembly.
 - (1) Remove the eight screws **S** attaching the LCD & switch board.



LCD & switch board

Fig.22

3.1.10 Removing the speaker
(See Fig.23)

- (1) Remove the six screws **T** attaching the speaker bracket.
- (2) Peel the tape and glue off attaching the speaker cord.

Caution:

The band comes off when you remove the speaker.

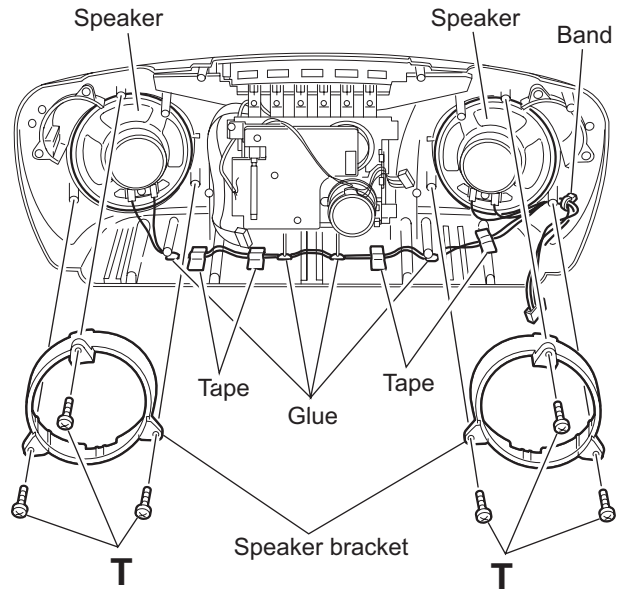


Fig.23

3.1.11 Removing the power transformer and the battery board (See Fig.24, 25)

- (1) Remove the two screws **U** attaching the power transformer.
- (2) Remove the two screws **V** attaching the power socket.
- (3) Remove the support board attaching the battery board.
- (4) Release the tab **d** setting the battery board and pull out the battery board.
- (5) If necessary, unsolder the solder points.

Caution:

When you remove the power transformer, the band setting the cord to the screw hole comes off.

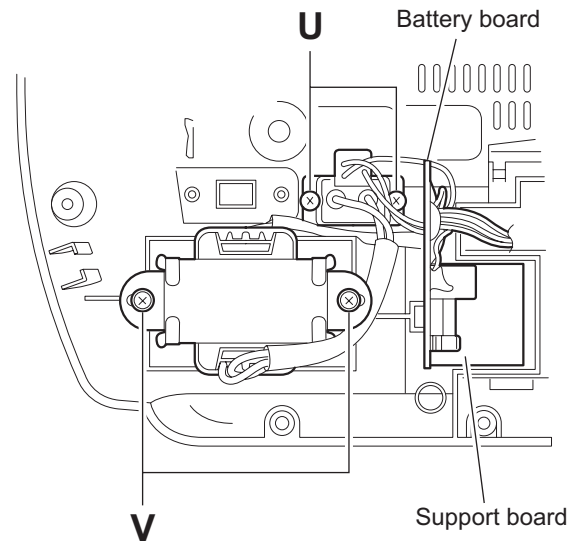


Fig.24

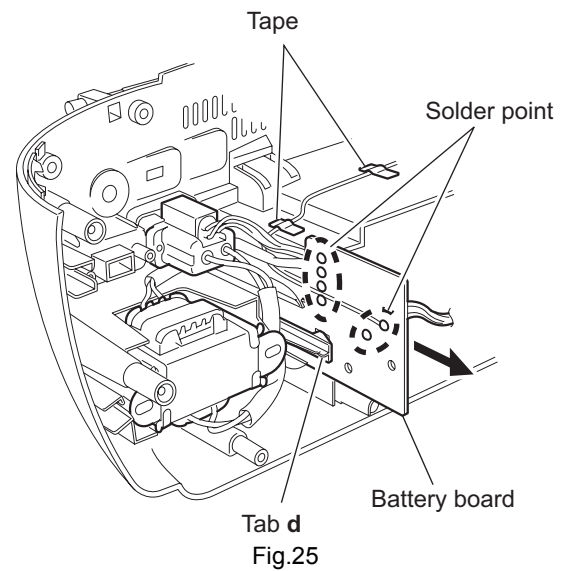


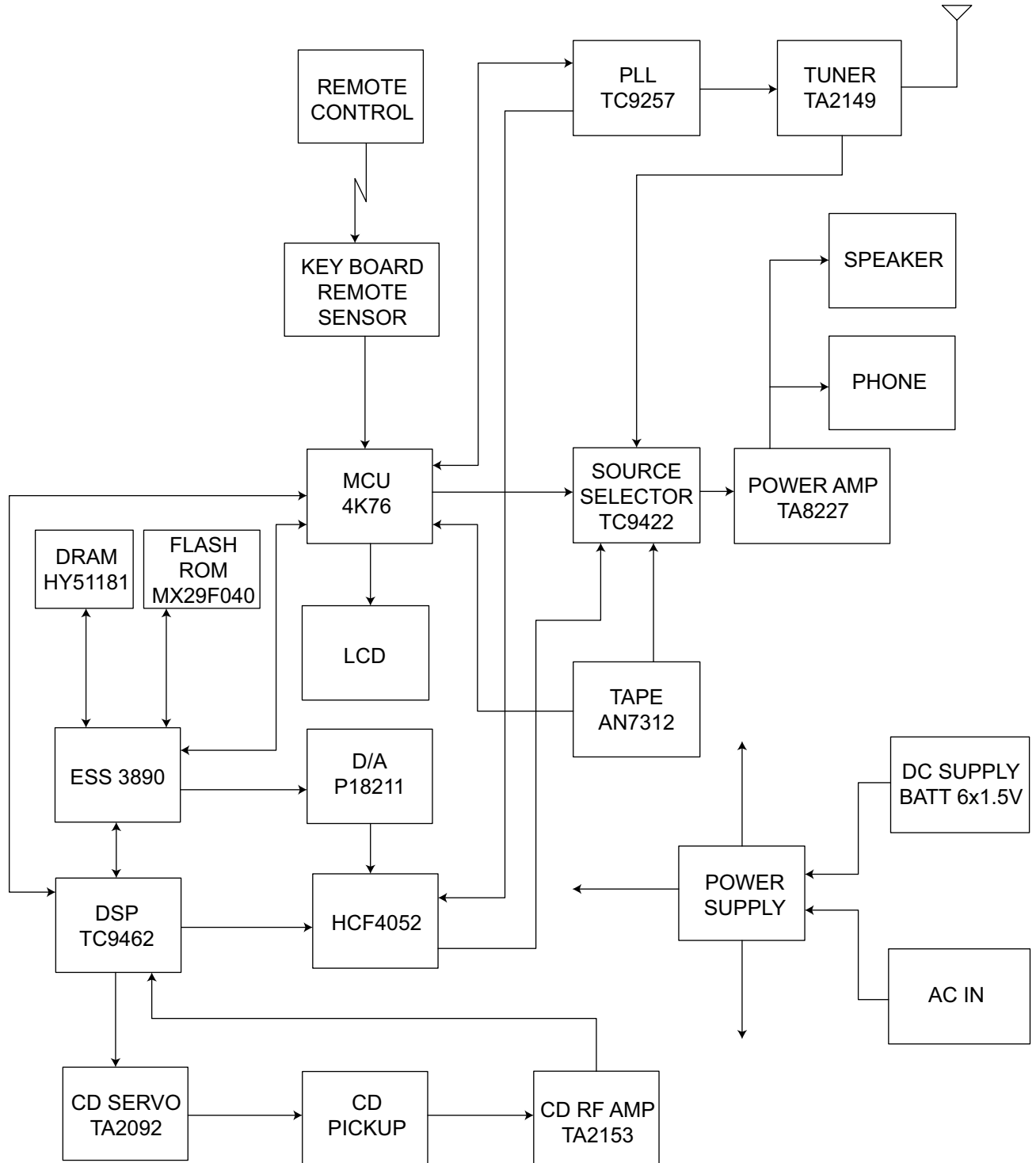
Fig.25

SECTION 4 ADJUSTMENT

This service manual does not describe ADJUSTMENT.

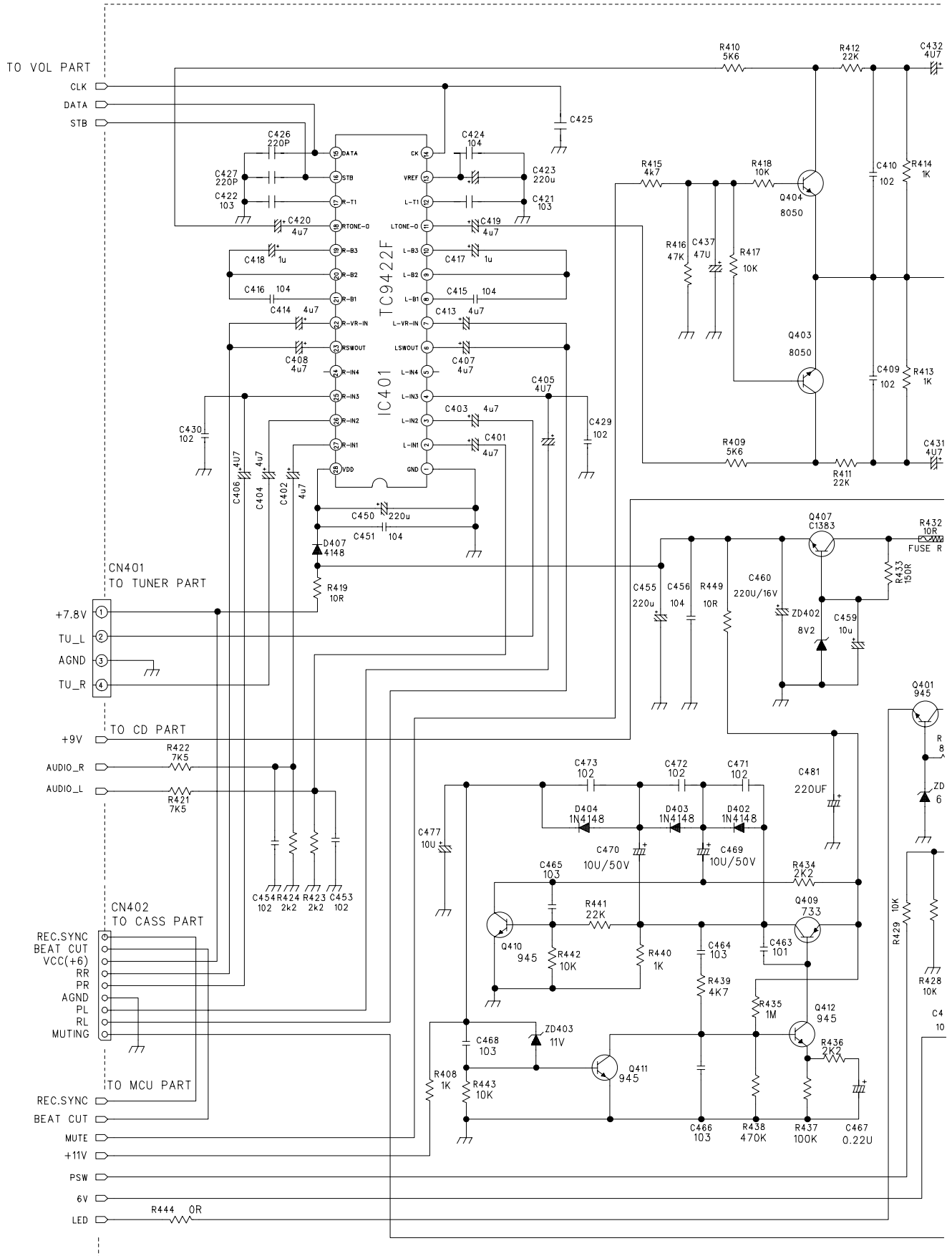
SECTION 5 TROUBLESHOOTING

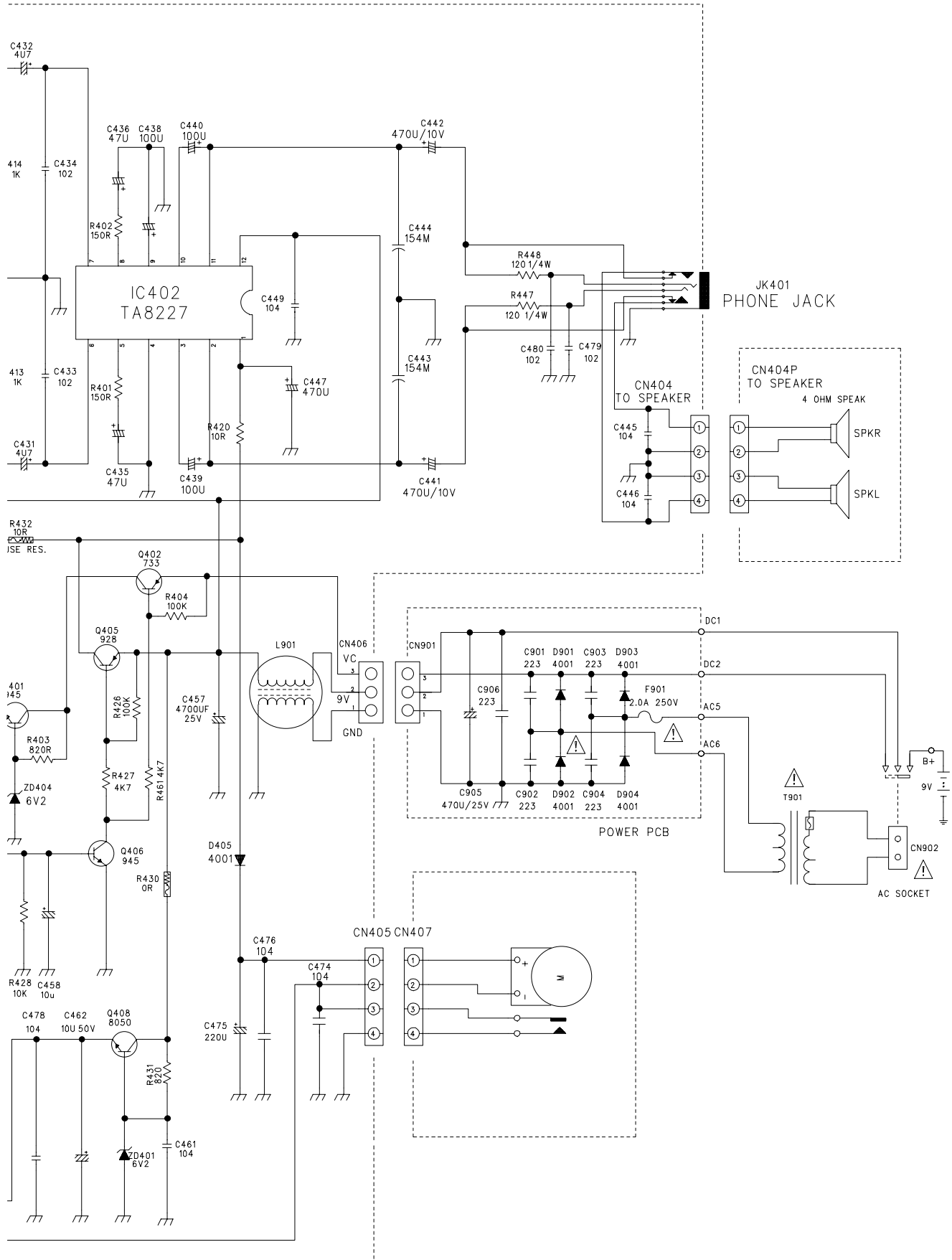
5.1 Block diagram



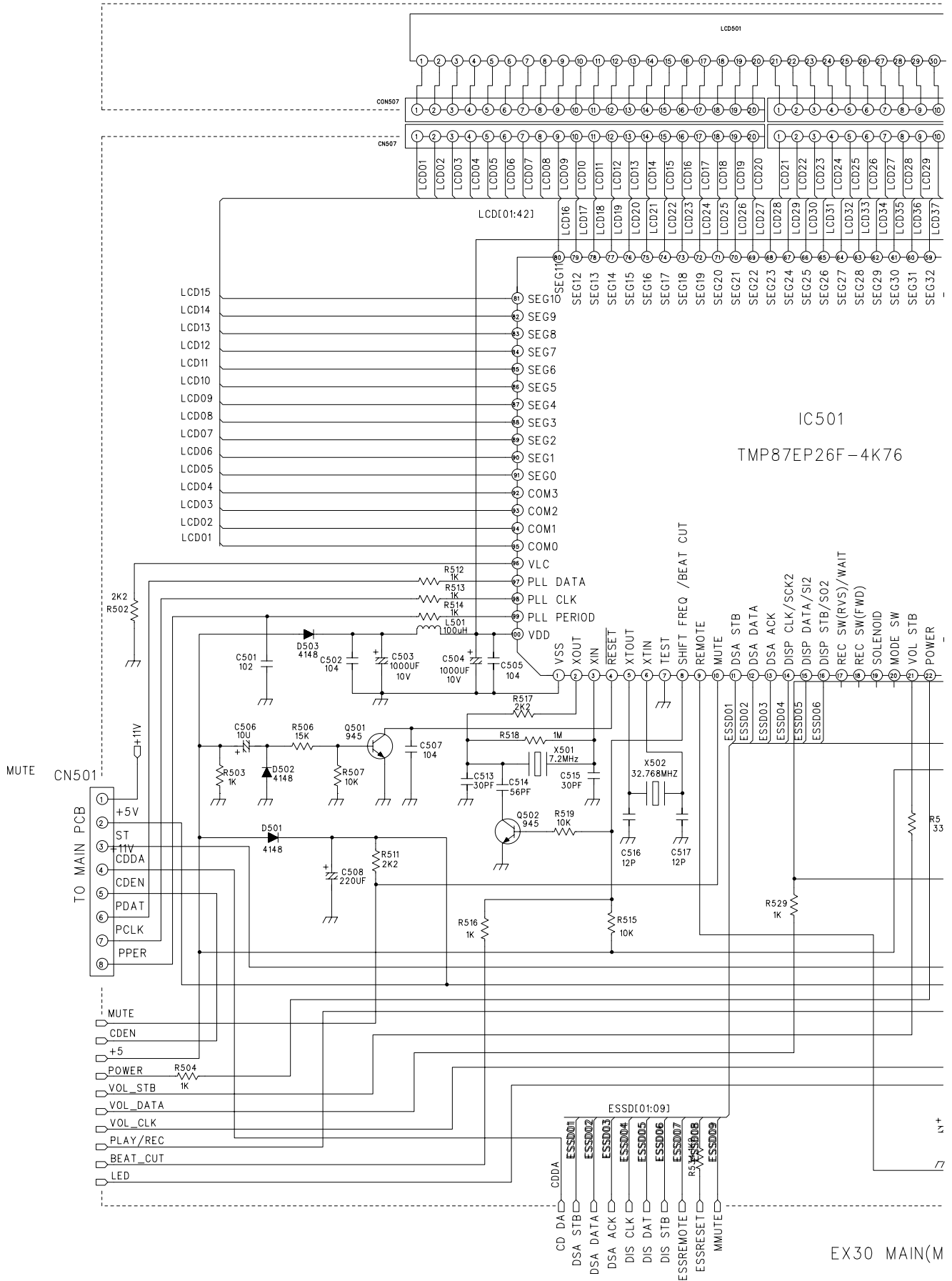
5.2 Standard schematic diagrams

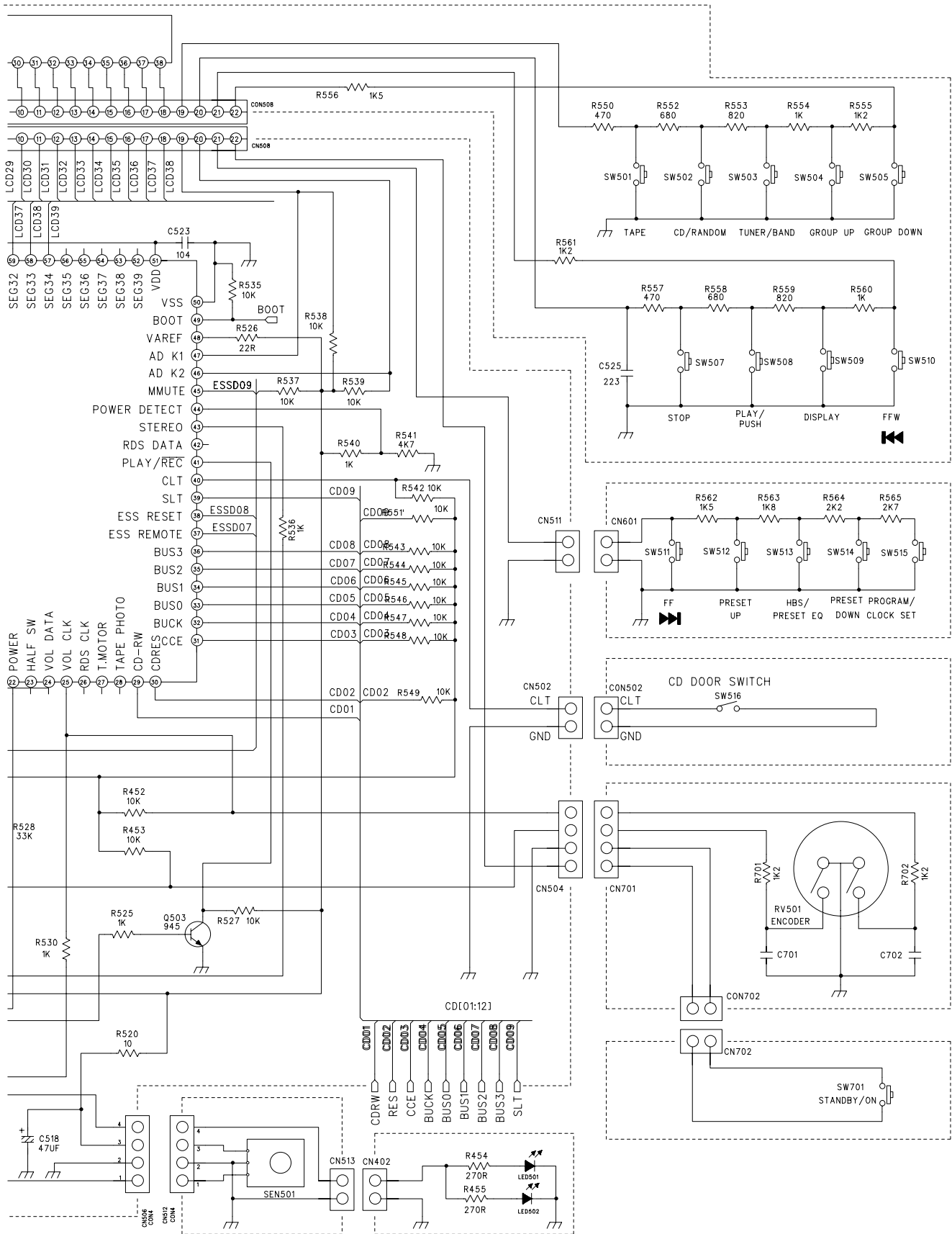
5.2.1 Amp section





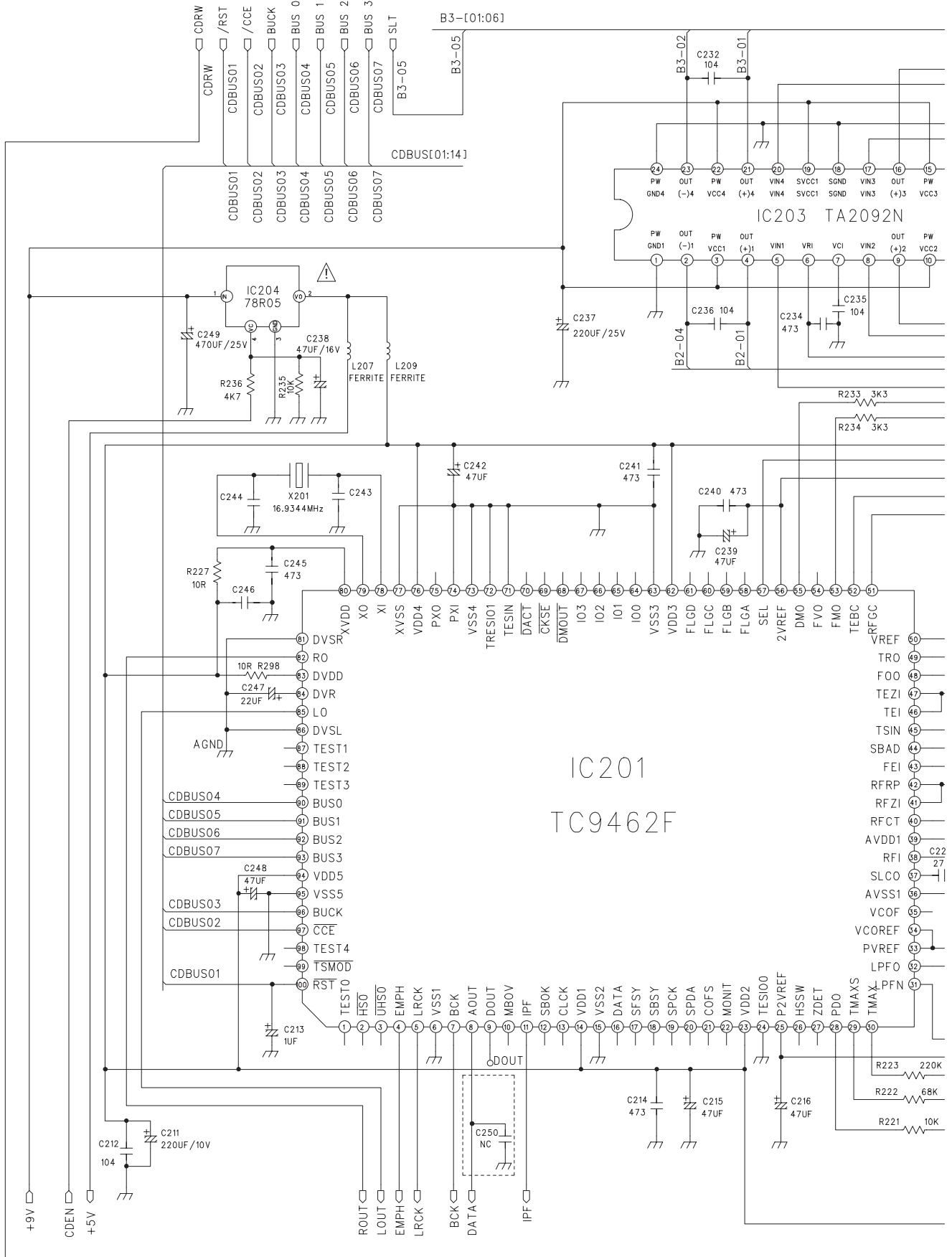
5.2.2 Micon section





(MCU) & DIAPLAY & KEY & STANDBY & VOL & LED PCB

5.2.3 CD section

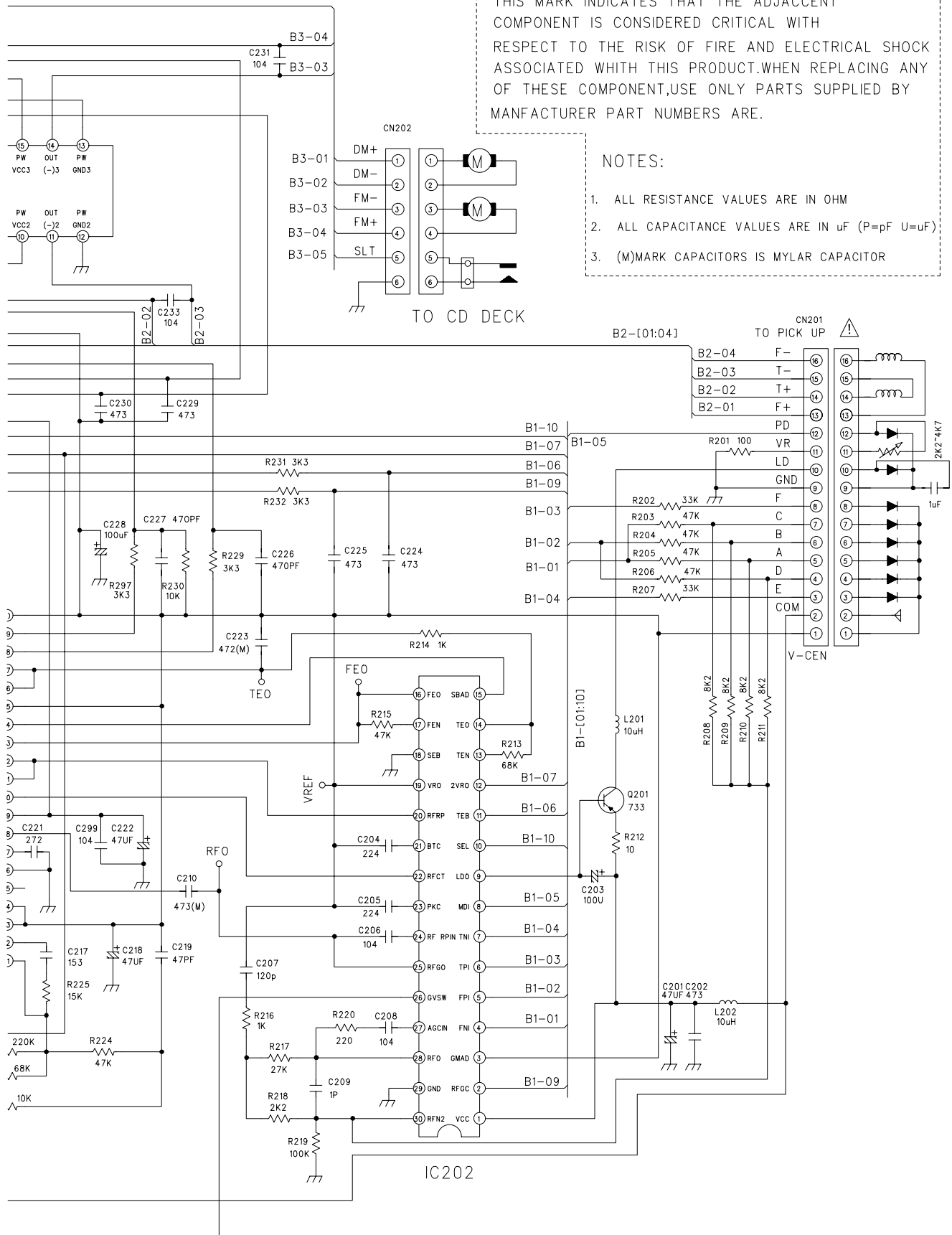


REMARK: ⚠

THIS MARK INDICATES THAT THE ADJACENT COMPONENT IS CONSIDERED CRITICAL WITH RESPECT TO THE RISK OF FIRE AND ELECTRICAL SHOCK ASSOCIATED WITH THIS PRODUCT. WHEN REPLACING ANY OF THESE COMPONENTS, USE ONLY PARTS SUPPLIED BY MANUFACTURER PART NUMBERS ARE.

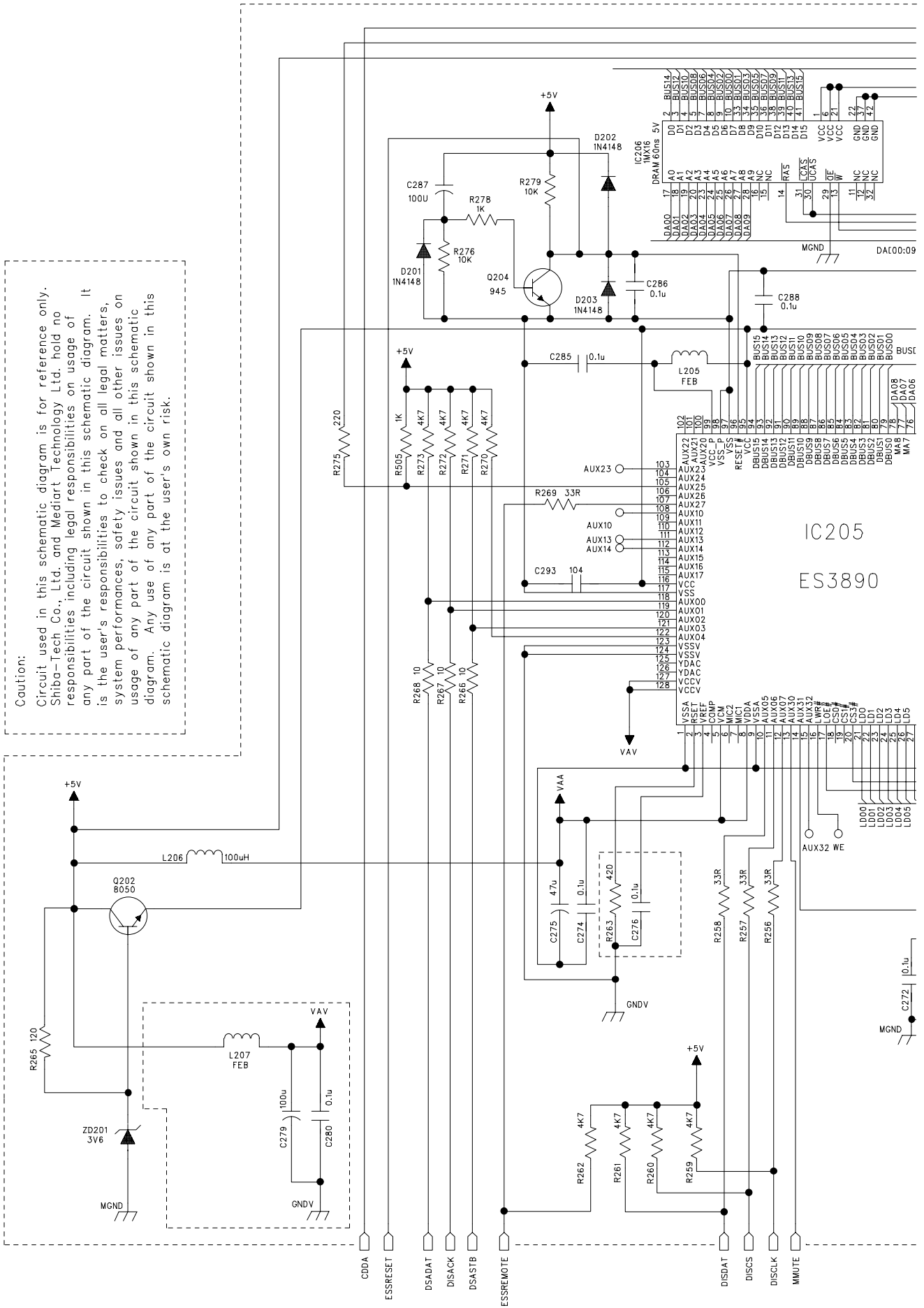
NOTES:

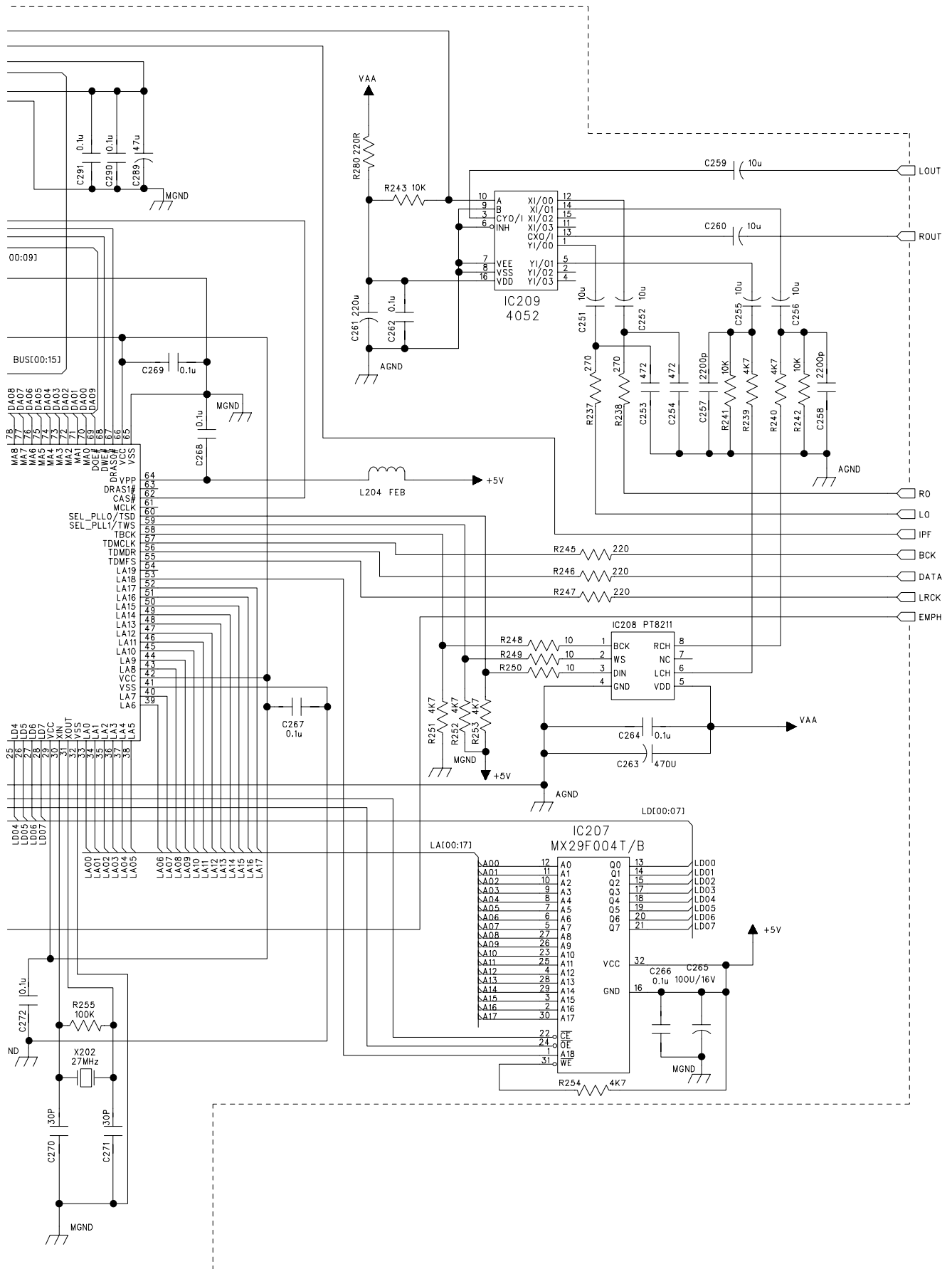
1. ALL RESISTANCE VALUES ARE IN OHM
2. ALL CAPACITANCE VALUES ARE IN uF (P=pF U=uF)
3. (M) MARK CAPACITORS IS MYLAR CAPACITOR



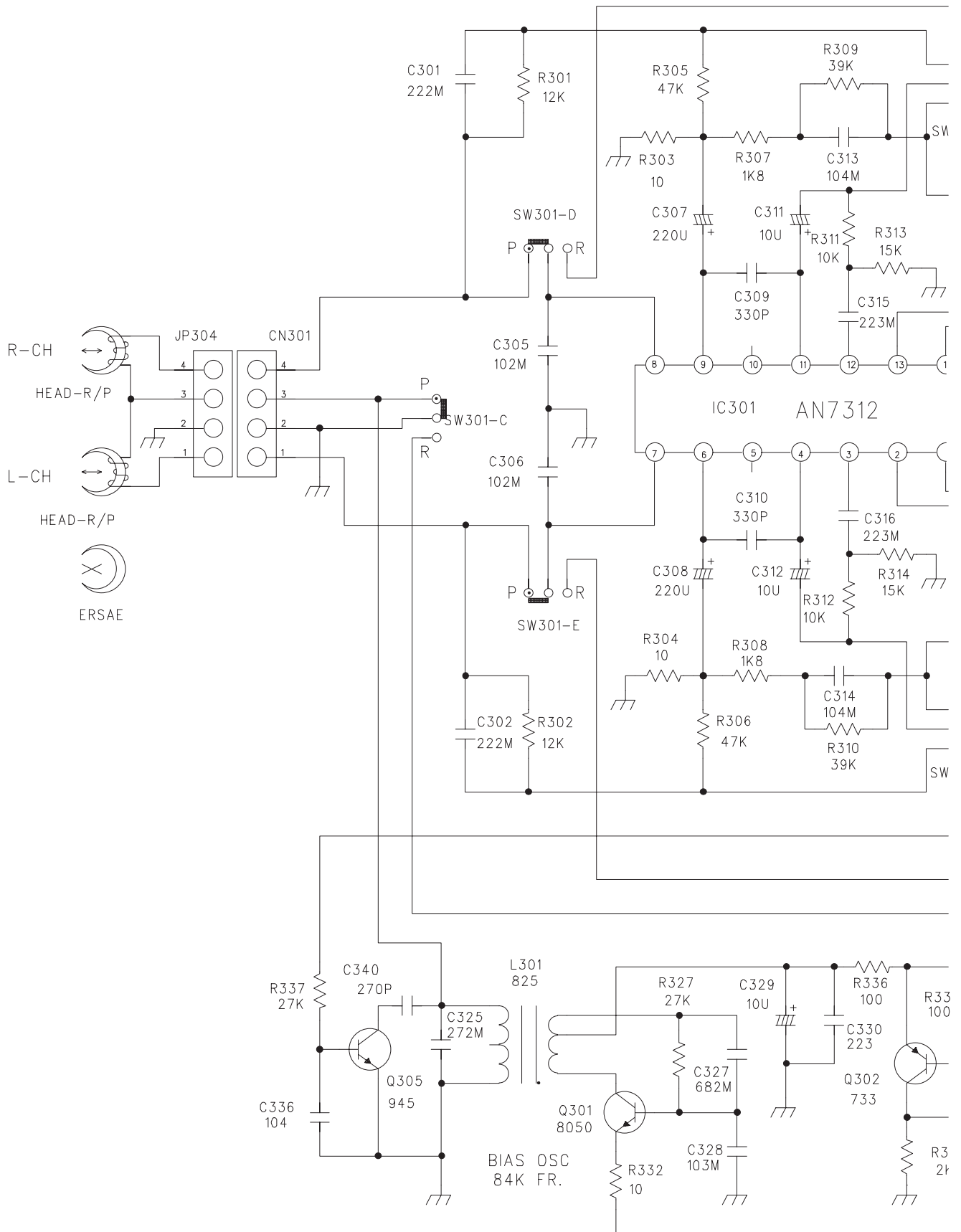
5.2.4 MP3 section

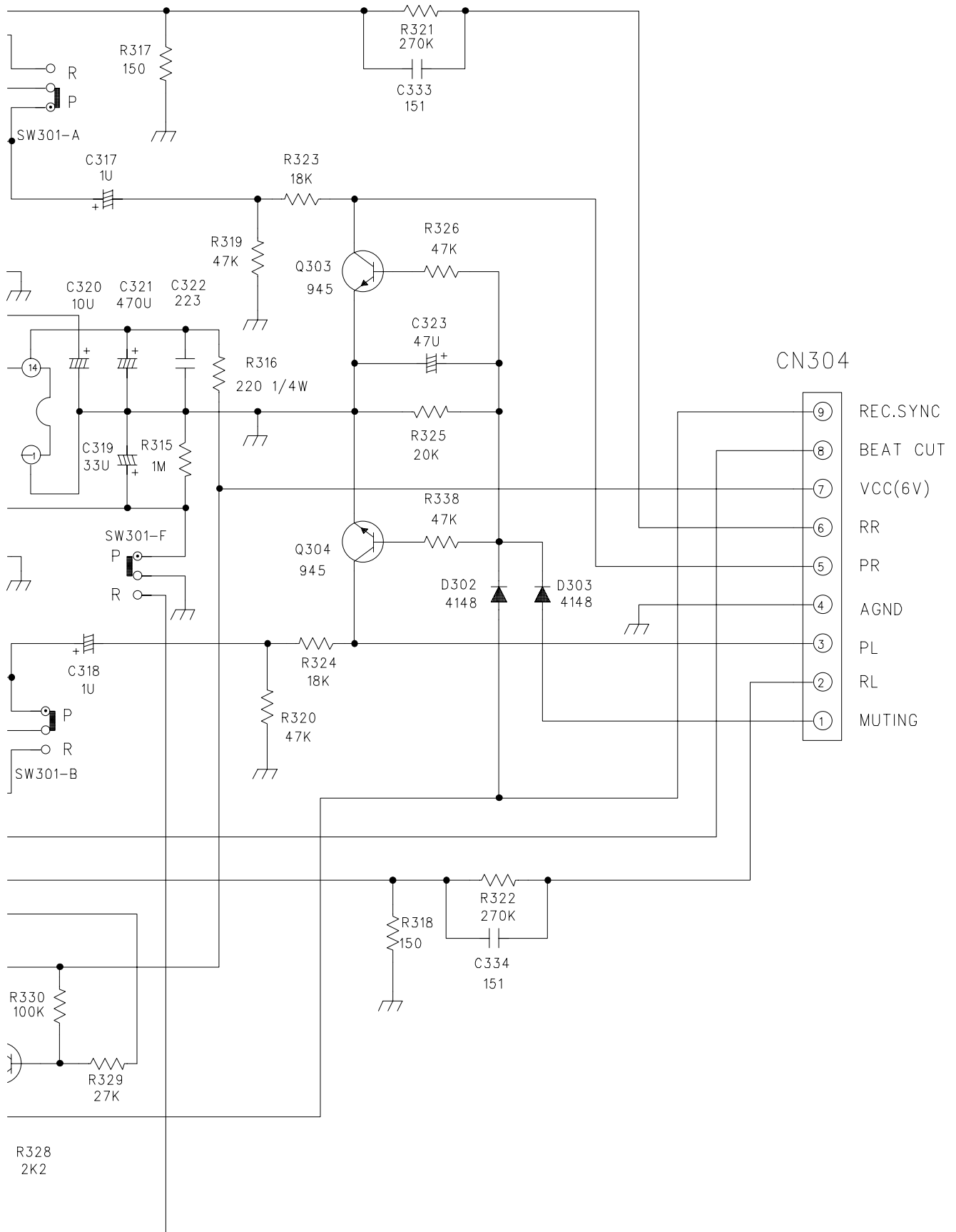
Caution:
 Circuit used in this schematic diagram is for reference only. Shiba-Tech Co., Ltd. and Mediatek Technology Ltd. hold no responsibilities including legal responsibilities on usage of any part of the circuit shown in this schematic diagram. It is the user's responsibilities to check on all legal matters, system performances, safety issues and all other issues on usage of any part of the circuit shown in this schematic diagram. Any use of any part of the circuit shown in this schematic diagram is at the user's own risk.



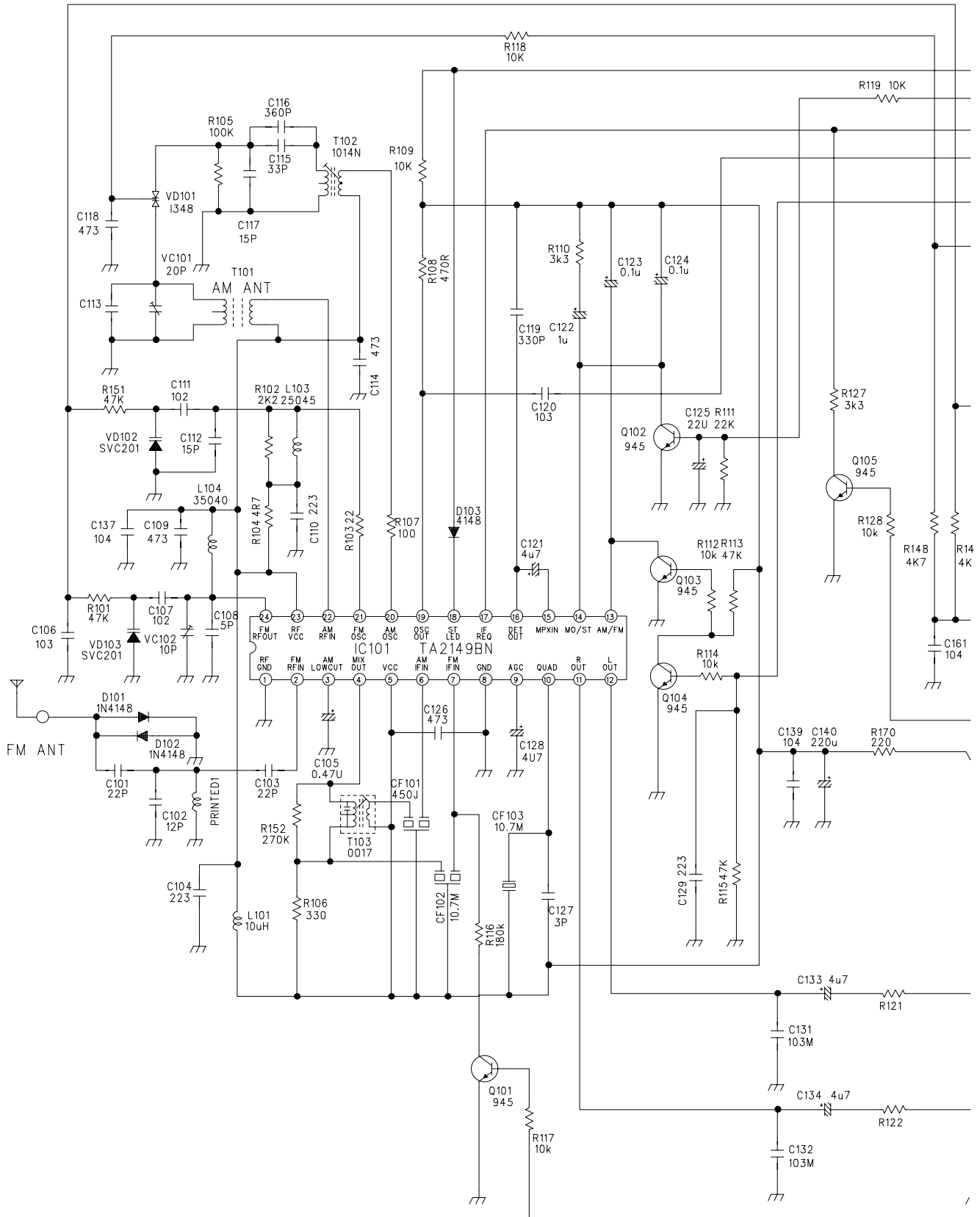


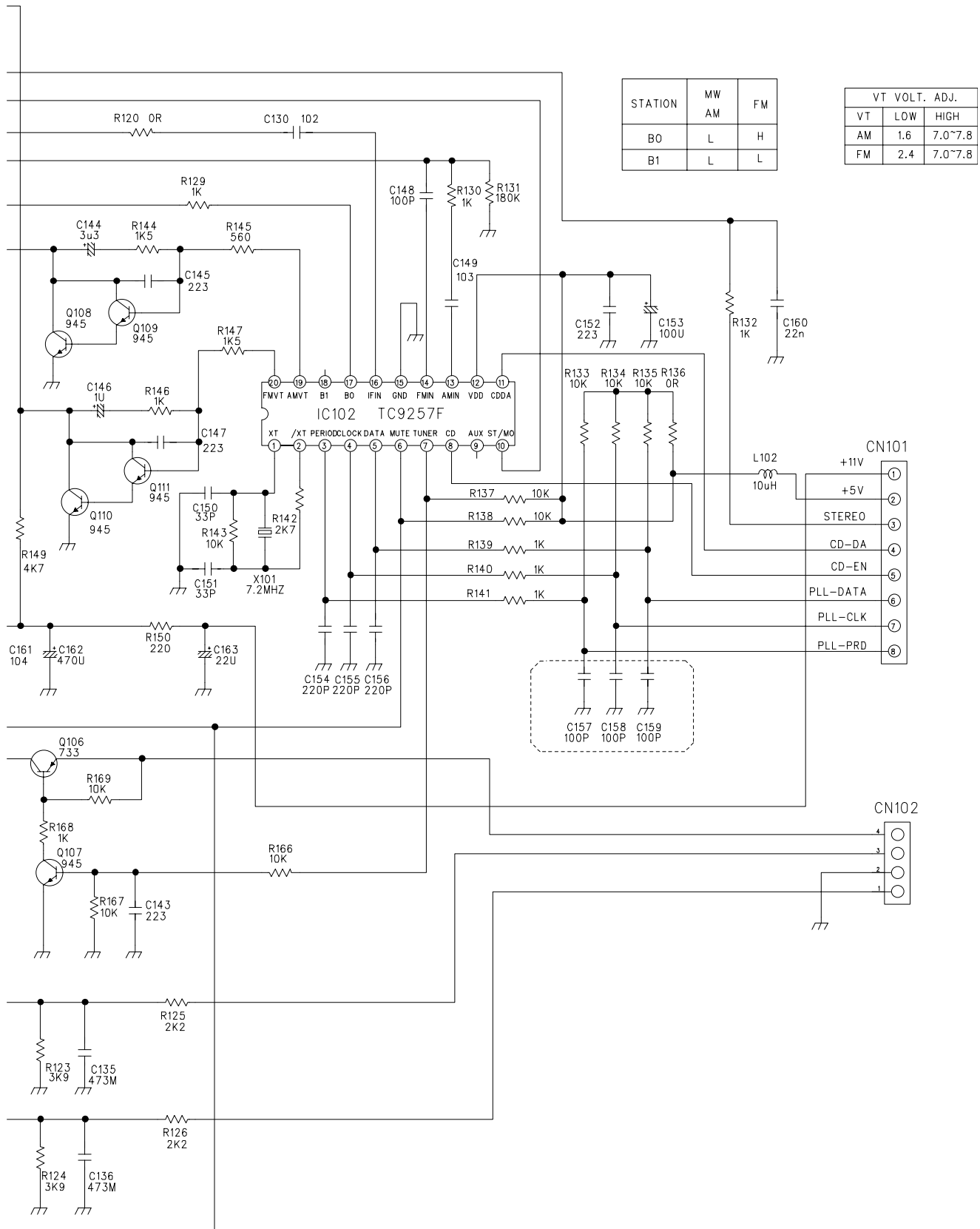
5.2.5 Cassette section





5.2.6 Tuner section







JVC

Victor Company of Japan, Limited
AV & MULTIMEDIA COMPANY AUDIO/VIDEO SYSTEMS CATEGORY 10-1,1chome,Ohwatari-machi,Maebashi-city,371-8543,Japan

(No.MB279)